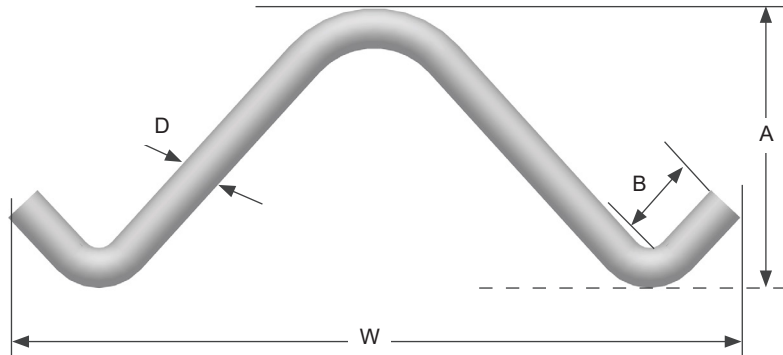


# A-Anchor System



## 9/16" And 3/4" A-Anchors (Made in USA)

CONAC A-Anchors are available in standard finish galvanized and self color.



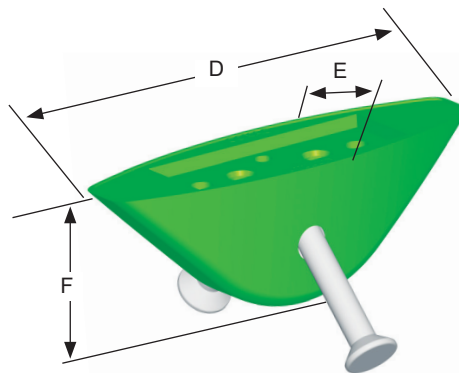
ITEM CODE	SLAB MIN. 90°	SWL TENSION	SWL AT 90° SHEAR	END DISTANCE
4CA14-A	4"	3500	5400	9"
5CA14-A	5"	5500	8500	11"
6CA14-A	6"	6350	9450	15"
5CA19-A	5"	6000	9300	11"
6CA19-A	6"	7300	11600	15"
8CA19-A	8"	12000	18750	20"

ITEM CODE	DEPTH (A)	ANCHOR WIDTH (W)	BODY DIA. (D)	FOOT LENGTH. (B)	PANEL DEPTH
4CA14-A	3-1/8"	7-7/8"	0.562"	1-1/8"	4"
5CA14-A	3-3/4"	9-3/4"	0.562"	1-1/8"	5"
6CA14-A	4-3/4"	12-1/2"	0.562"	1-1/8"	6"
5CA19-A	3-3/4"	11"	0.75"	1-1/2"	5"
6CA19-A	4-3/4"	11-3/4"	0.75"	1-1/2"	6"
8CA19-A	6-3/4"	14"	0.75"	1-1/2"	8"

Note: Safe working loads based on approximate 4:1 safety factor with a minimum concrete strength of 4,000 psi. For use as pulling iron load may be increased by up to 33% with a Safety Factor of 3:1.

## A-Anchor Rubber Recess Formers

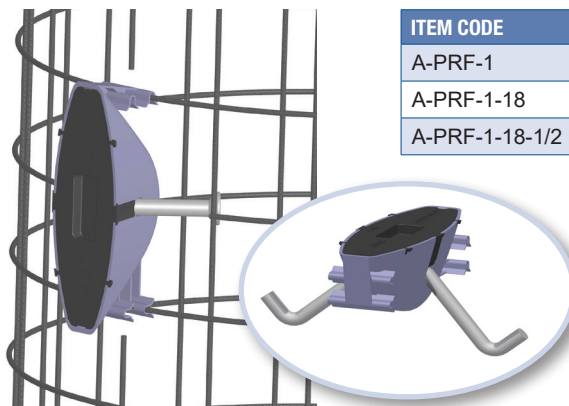
The A Anchor Rubber Recess Formers are manufactured in 90° angles. The recess former properly sets the top of the anchor 3/4" below the surface of the concrete.



ITEM CODE	D	E	F	COLOR
CRRF9014	9"	3"	3.25"	Red
CRRF9018	9"	3"	3.25"	Black
CRRF9014-4	9"	3"	4"	Yellow
CRRF9018-4	9"	3"	4"	Green

## A-Anchor Plastic Recess Formers

A-Anchor single use plastic recess formers attach to mesh or rebar cages. Patent # 8,024,896



ITEM CODE	D	E	F	QTY/BOX
A-PRF-1	9"	3"	3-1/4"	110 PCS
A-PRF-1-18	9"	3"	3-1/4"	110 PCS
A-PRF-1-18-1/2	11"	4-1/8"	4"	60 PCS